

MedeaWiz DV-69

DV-69

ENGINEERING SPECIFICATION

Model: DV-69

P/D No.:

Firmware Version: **V1.1**

Revision

Item	Issues Dates	Description	Actions	Date
1	2012/04/10	First Release	REV"1.0"	
2	2013/05/08	DEL Scheduling	REV"1.1"	
3				
4				
5				
6				
7				
8				
9				
10				

Hardware Version: DV-69 Ver. 1.0

MedeaWiz DV-69

Firmware Version:

Copyright

This technical document, including photographs and software, is protected under international copyright laws, with all rights reserved. Neither this manual, nor any of the materials contained herein, may be reproduced without written consent of the company or their respective owners.

© Copyright Nov. 2012

Disclaimer

The information in this document is subject to change without notice. The manufacturer makes no representations or warranties, with respect to the contents hereof, and specifically disclaims any implied warranties of merchantability or fitness for any particular purpose. The manufacturer reserves the right to revise this publication and to make changes from time to time in the content hereof without obligation of the manufacturer to notify any person of such revision or changes.

Trademark Recognition

The product names mentioned in this compatibility test report are the properties of their respective owners and are acknowledged.

MedeaWiz DV-69

Content

1. Features.....
2. Media Format.....
3. Main Controllers and Key Components.....
4. Hardware Structures.....
5. External Connectors.....
6. Basic Information.....
7. RS-232 Command.....
8. Play mode Timeline Diagram.....
9. Firmware Requirements.....
10. Performance & Compatibility
11. Dimensions.....

MedeaWiz DV-69

1. Features

- Mpeg1/Mpeg2/Mpeg 4/DivX Media Player
- HDMI Video Output
- VGA Video Output (External D-Sub & Internal)
- Composite Video Output (External ϕ 3.5mm Jack & Internal Wafer)
- Stereo Audio Output (External ϕ 3.5mm Jack & Internal Wafer)
- RS-232 I/F (External RJ11 Phone Jack & Internal Wafer) for DV-68K Support
- IR Support
- DC 12V Power Input (DC Jack/Internal Connector)
- Stereo Audio Output
- SD(SDHC) Push-Push Type
- USB 2.0 Host
- Operation Modes: Repeat/Menu/Standby
- Auto Power On/Off via Power Scheduling Program (download GUI for PC)
- Super Cap for Internal Clock
- Firmware update via USB or memory cards
- RoHS
- Design using Solid Capacitors for Reliability
- Blue Print PCB

2. Media Format

- Photo: JPEG, TIFF, BMP
- Audio: MP3, WMA, G.726, AAC, ADPCM, AMR, BBE
- Video: MPEG1, MPEG2, MPEG4 SP, Divx 3.11/4.x/5.x, M-JPEG
- Video file extension for instance: avi, asf, mp4, 3GP, dat, vob, mpg
(It depends on the actual format used for encoding)

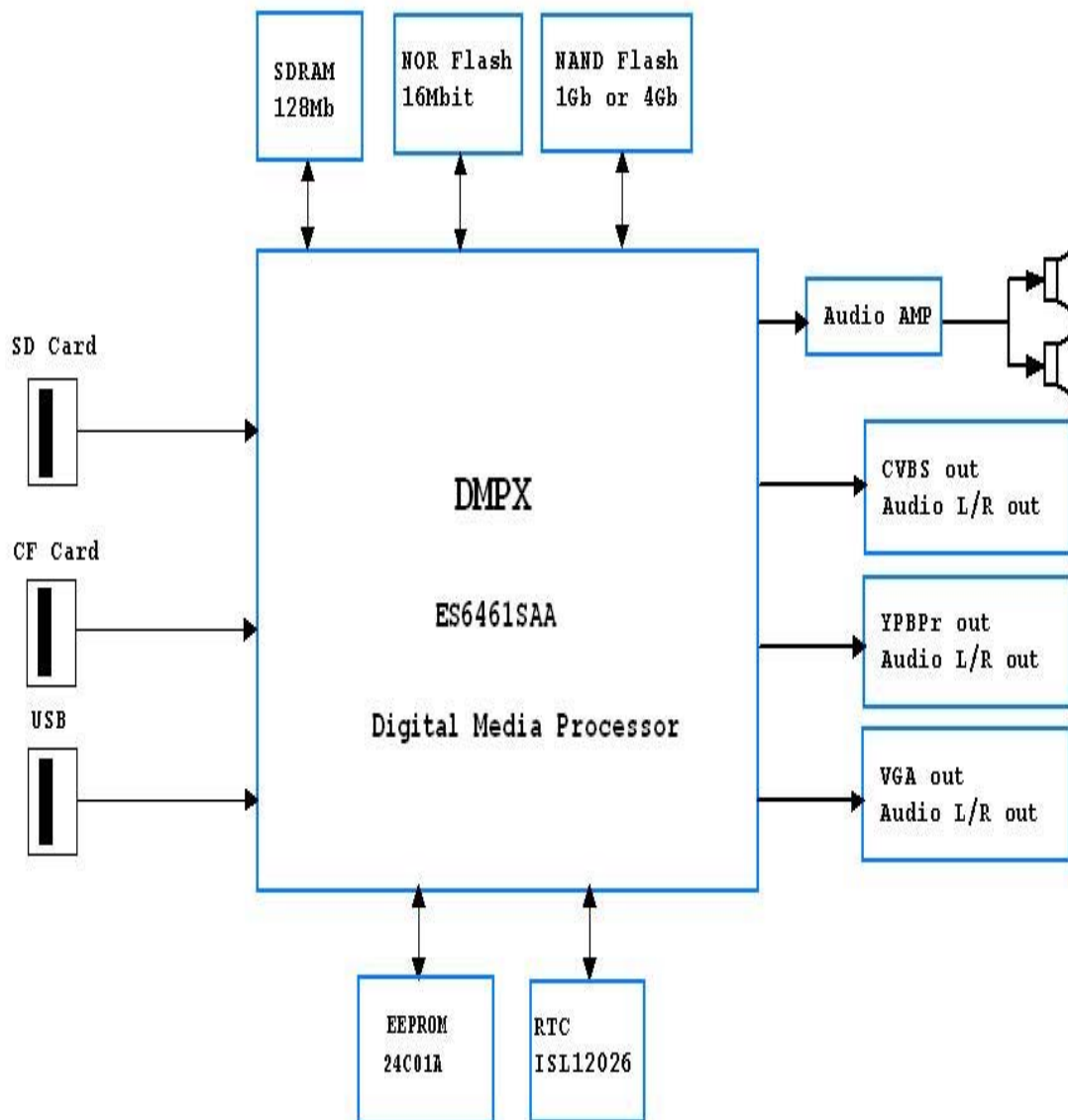
3. Main Controllers and Key Components

- Media Processor : ESS ES 6461
- HDMI Transmitter: ESS ES 7109S
- Memory Card I/F : SD (SDHC)
- Timer/Clock: Intersil ISL12026

MedeaWiz DV-69

4. Hardware Structures

➤ Block Diagram



MedeaWiz

DV-69

External Connectors

	Description
SD Connector	Push-Push type
USB Connector	USB Host A type
Head Phone Jack	ψ3.5 mm (PJ35-369) Black
Head Phone Jack	ψ3.5 mm (PJ35-369) Green
VGA Connector	D-sub 15-pin
DC Jack	12V ψ2.5 mm
HDMI Connector	
RJ-11	RS-232 I/F
IR	
LED Indicator	Blue
Gold Capacitor	Gold Capacitor (EECEN0F204AK)
Wafer	

- **SD(SDHC) Slot CN1**
 - Push-Push Type

- **USB 2.0 I/F CN2**
 - USB 2.0 Host (STD A type Female)

- **VGA Connector CN3**
 - D-Sub 15-pin

- **Composite Video Output CN4**
 - φ3.5 mm Black

- **Stereo Audio Output CN5**
 - φ3.5 mm line level output Green

- **HDMI Video Output CN6**
 - SMD HDMI Connector

- **DC Jack CN7**
 - DC 12V
 - Diameter: φ 2.5 mm

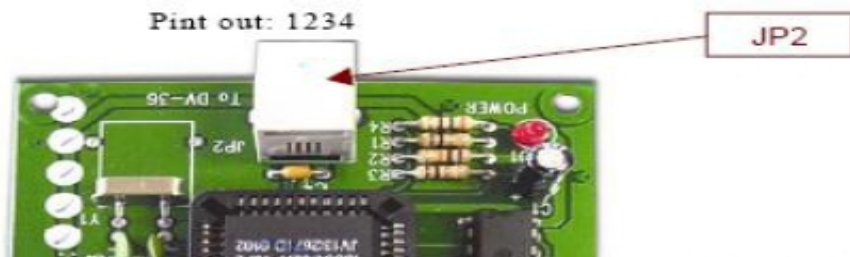
MedeaWiz DV-69

➤ **RJ10 Phone Jack CN8**

- RS-232 I/F

Pin	JP	Cable	Function
1	JP2	DV-66K	Ground
2	JP2	DV-66K	TX
3	JP2	DV-66K	RX
4	JP2	DV-66K	+5 VDC

Aerial View:



5. Basic Information

RS232 is at TTL Levels, 0 to +5V

If using a PC or other "true" RS232 at +12V, -12V, you must use a level translator cable.

Special cables are available separately.

Transmit Protocol: 4800, 8, N, 1

Baud Rate: 4800

Priority Bit Check: None

Data Bit Length: 8

Stop Bit No.: 1

6. RS-232 Command

2.1 RX (HEX numeric bytes sent to the DV-69 for control)

Item	Code	Definition	Description	Remark
1	0XC9	POWER KEY	Power ON/OFF	
2	0XCA	RESET KEY	Restart	
3	0XDA	MUTE KEY	Mute	
4	0XDE	UP KEY	Up	

MedeaWiz DV-69

5	0XDF	GOTO KEY	Return to Home Menu	
6	0XE0	LEFT KEY	Left	
7	0XE1	ENTER PLAY KEY	Enter/Play	
8	0XE2	RIGHT KEY	Right	
9	0XE4	DOWN KEY	Down	
10	0XE7	SETUP KEY	Go to Setup Menu	
11	0XE9	VOLUME UP KEY	Volume Increase	
12	0XED	VOLUME DOWN KEY	Volume Decrease	
13	0XF1	FB KEY	Fast Rewind	
14	0XF2	FF KEY	Fast Forward	
15	0XF3	PREVIOUS KEY	Back to Previous file	
16	0XF4	NEXT KEY	Go to Next file	
17	0XF5	STOP KEY	Stop Playing file	
18	0XF6	PAUSE KEY	Pause file	
19	0XF7	PLAY KEY	File Playback	
20	0XF9	REPEAT MODE KEY	Repeat Play all Clips/Menu Repeat	
21	0XFA	MENU MODE KEY	Play File 000 until Other Clip Selected	
22	0XFB	CONTINUE MODE KEY	Play the Current Clip until Other Clip Selected	
23	0XE8	Display	Timer information ON/OFF *Default : ON	TX command 0X74

2.2 TX (HEX numeric bytes sent from the DV-69 to show status)

Item	BYTE 1	BYTE 2	BYTE 3	BYTE 4	Remark
1	0x54	Total track *	Current track*	Checksum (BYTE1+ 2 + 3)	Show track information
2	0x74	Time_min [0x00~0x63]	Time_sec [0x00~0x3b]	Checksum (BYTE1+ 2 + 3)	Show timer information
3	0x76	Mute_enable = 1 Mute_disable = 0	Level 0~16 [0x00~0x10]	Checksum (BYTE1+ 2 + 3)	Show volume information
4	0x63	repeat mode = 0xF9 menu mode = 0xFA conuinue mode= 0XFB	Next track# **	Checksum (BYTE1+ 2 + 3)	Show end of file information

MedeaWiz DV-69

5	0x73	Play = 0x01 Pause = 0x02 Stop = 0x03 in setup = 0x10	0x00	Checksum (BYTE1+ 2 + 3)	Show status
6	0x50	repeat mode = 0xF9 menu mode = 0xFA conuinue mode= 0XFB	Track #	Checksum (BYTE1+ 2 + 3)	Show PIR trigger info

- ◆ In menu mode the file names must start at 000.mpg and go up to 200.mpg
Total track = MAX_track - 1 , Current track = track_index - 1
ex.: [000.mpg, 001.mpg, 002.mpg, 003.mpg, 004.mpg, 005.mpg] If playing 004.mpg, returns
-> BYTE 2 = 0x05, BYTE 3 = 0x04
In the other modes the file names must start at 001.mpg and go up to 200.mpg
Total track = MAX_track , Current track = track_index
ex.: [001.mpg, 002.mpg, 003.mpg, 004.mpg, 005.mpg] If playing 003.mpg, returns
-> BYTE 2 = 0x05, BYTE 3 = 0x03
- ◆ In the MENU mode:
Next Track = 0x00
- ◆ In the REPEAT mode:
Next Track = Current Track +1
- ◆ In the CONTINUE mode:
Next Track = Current Track

For simple serial control of the DV-69 to play files:

Transmit a single byte HEX number to the DV-69

0h 01 to play file 1

0h 02 to play file 2

0h 03 to play file 3

And etc. up to 0h 200

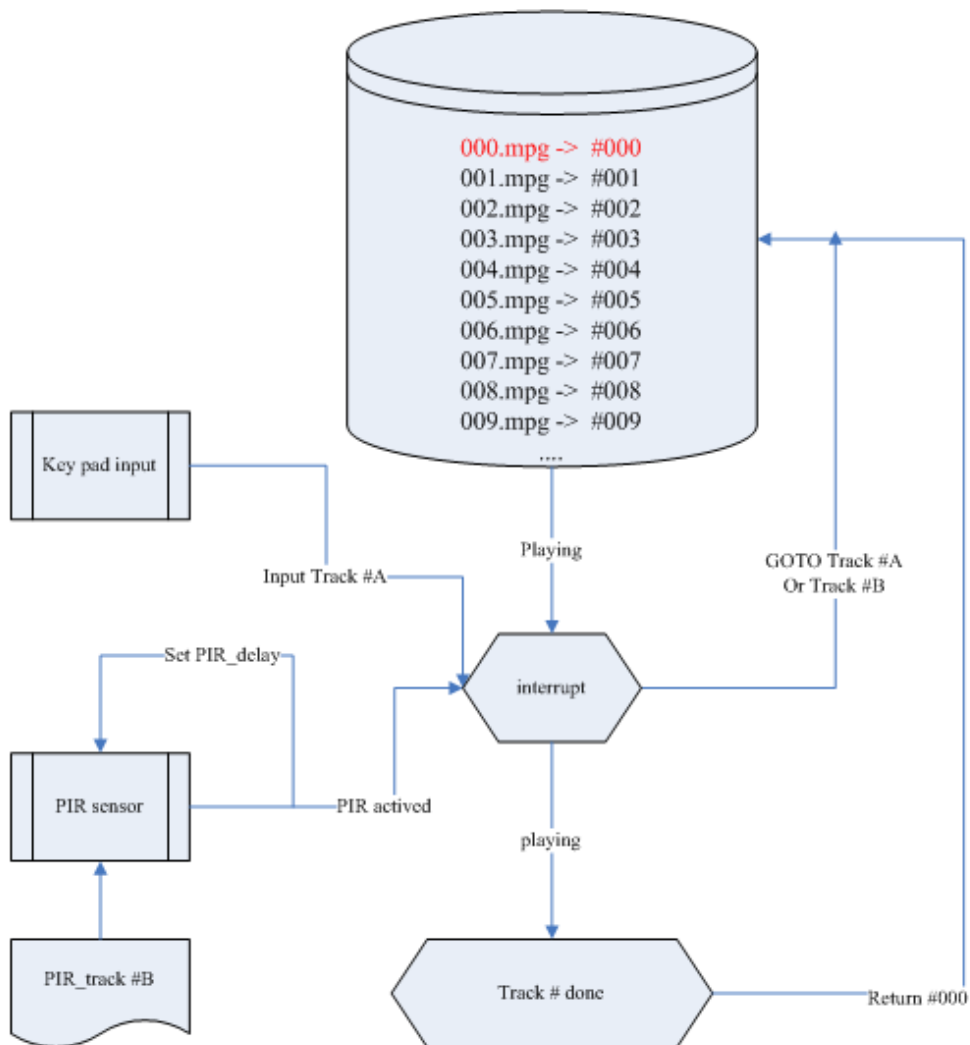
Do not transmit any LF or CR or other characters, just a single byte. **Make sure the byte is numerical and not a "string ASCII character"** IE send binary 0000 0001 to play file 1. (The string ASCII representation for the number 1 will transmit 0x 31 or Decimal 49 and play file 49 if present)

MedeaWiz DV-69

7. Play mode Timeline Diagram

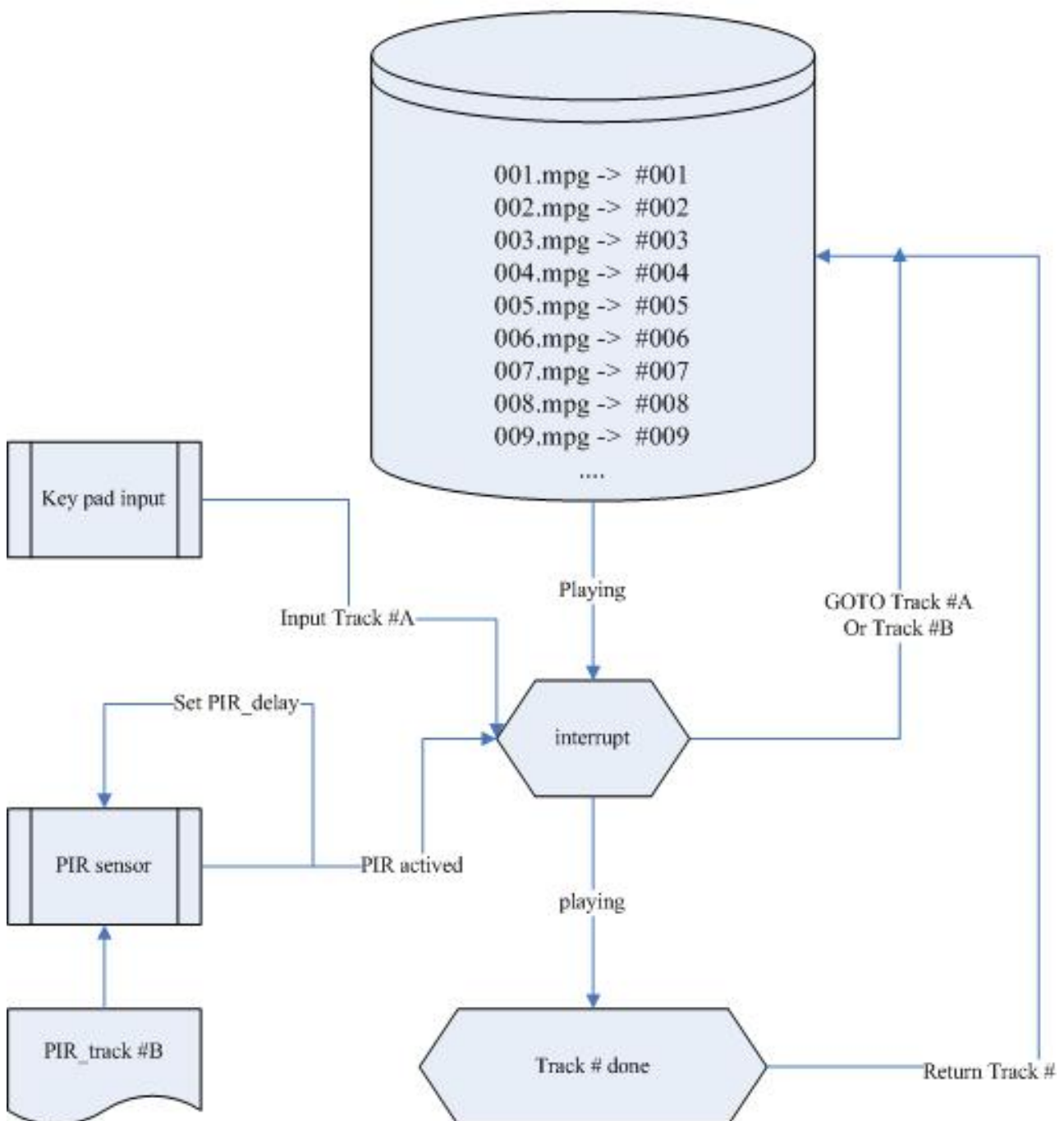
MedeaWiz DV-69

Menu Mode



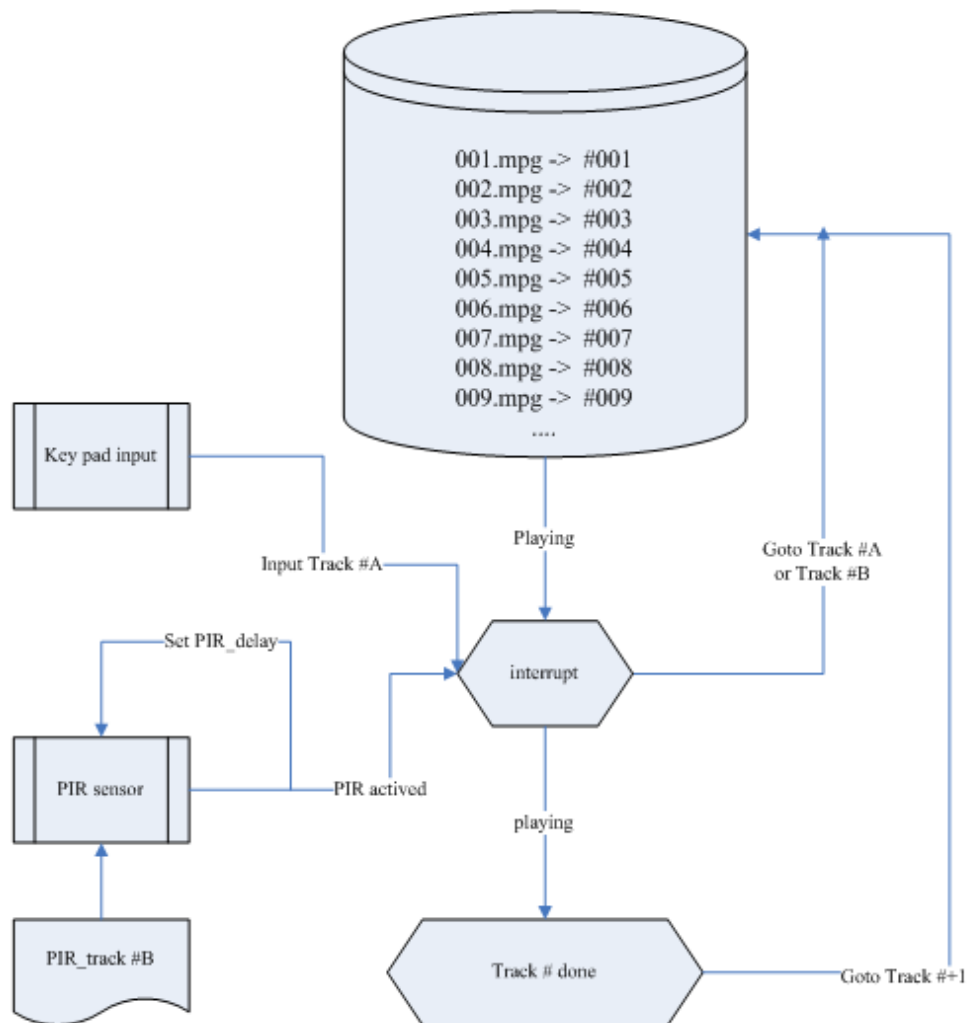
MedeaWiz DV-69

Continue Mode



MedeaWiz DV-69

Repeat Mode



MedeaWiz DV-69

8. Firmware Requirements

- Firmware Upgrade
 - Memory Cards
 - USB Device
- OSD
 - Standard UI
 - Language
 - ◆ English
- **Timer Function**
 - Standby Mode
 - Auto Power On/Off by Power Scheduling Program

- **USB/Memory Card Hot Plug**
- **Play Modes**
 - Menu Mode
 - Standby Mode
 - Repeat Mode

9. Performance & Compatibility

- Video Performance
- ESS ES6461 chipset
- MPEG 4 Compatibility
- ESS ES6461 chipset

MedeaWiz DV-69

10. Dimensions

COLOR : BULE

Material: Aluminum



MedeaWiz DV-69

